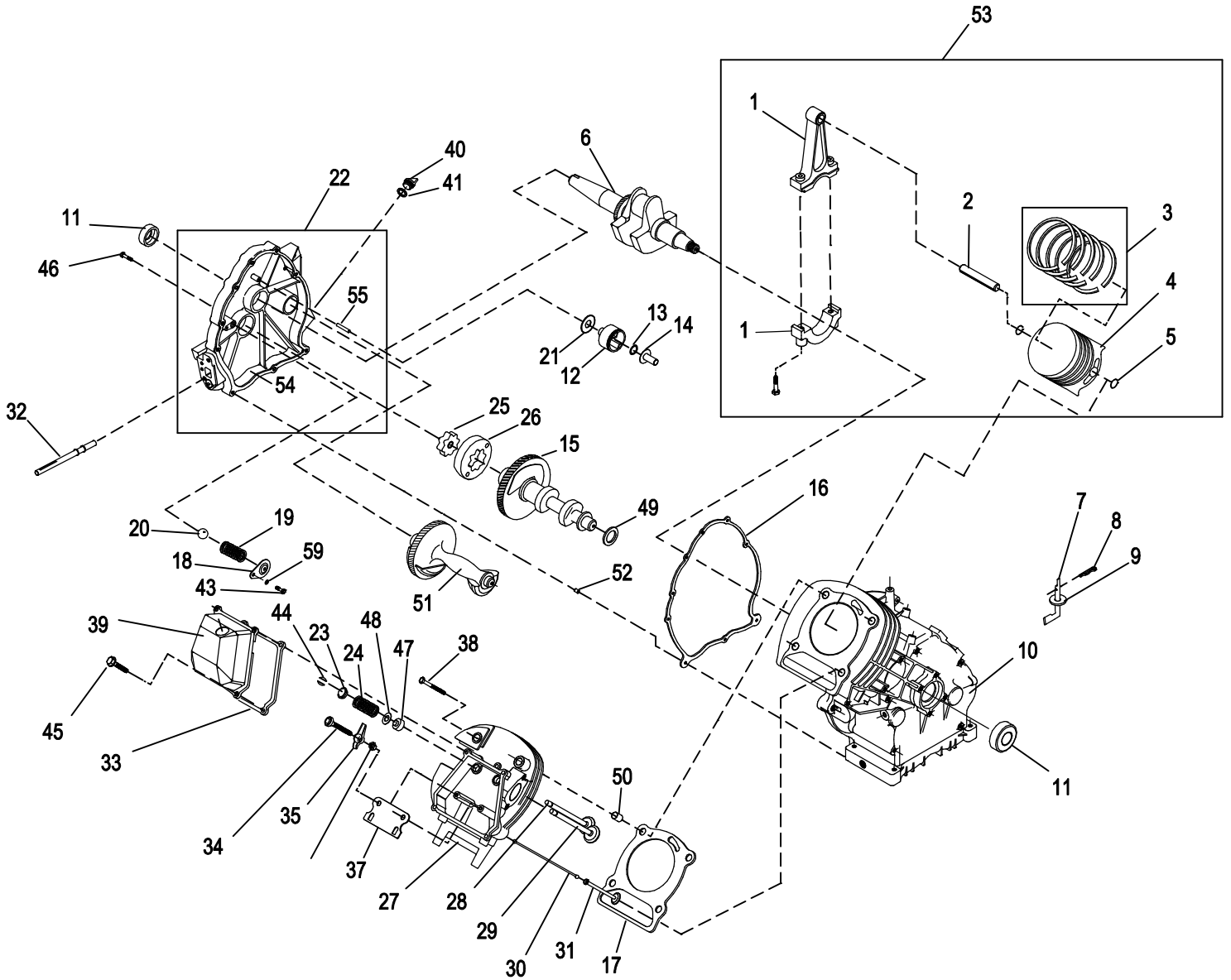


GROUP D

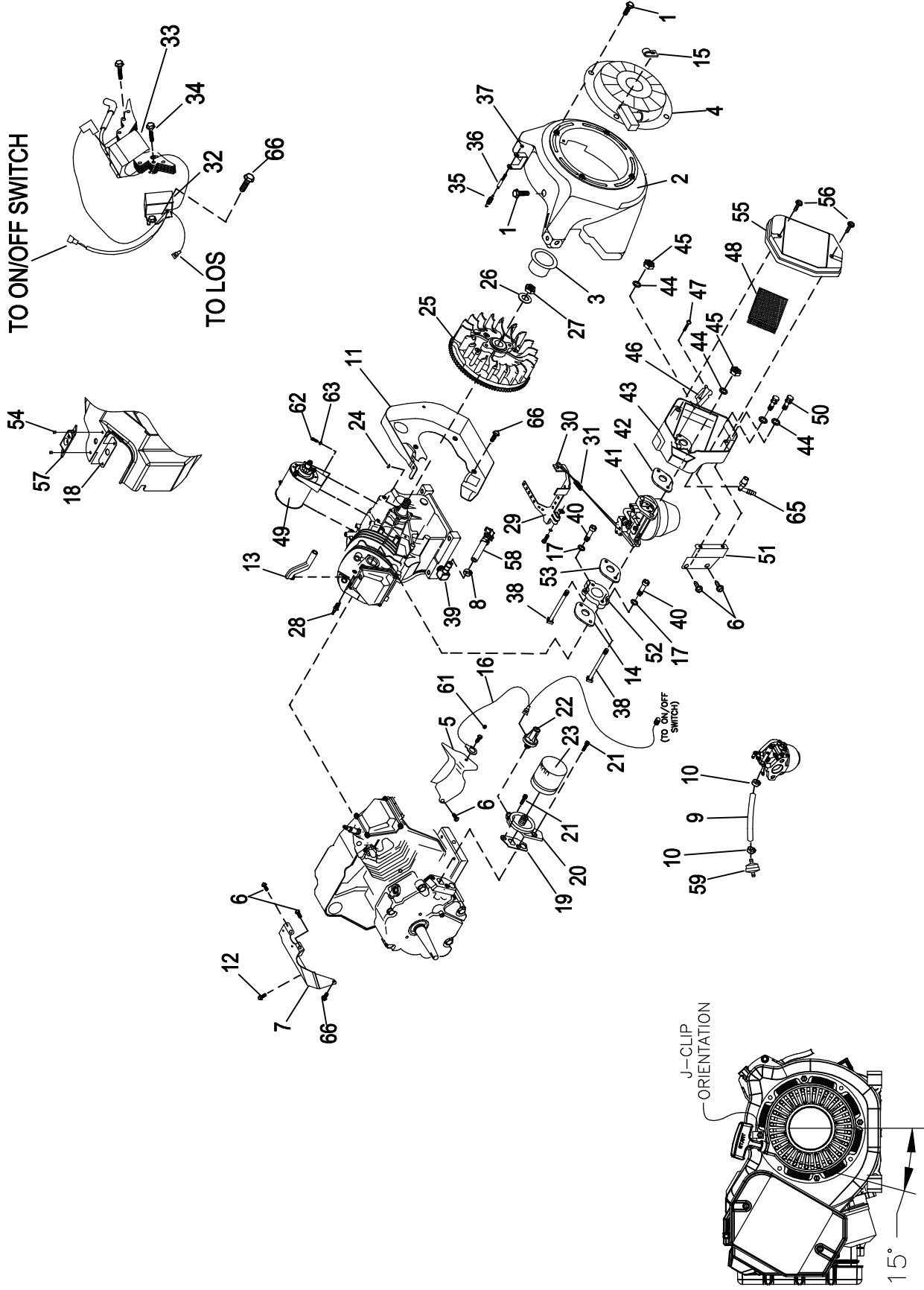
22	54, 55, 56, 57, 58
54	1, 2, 3, 4, 5



ITEM	PART #	QTY.	DESCRIPTION
1	0E3221	1	ASSEMBLY, CONNECTING ROD
2	0E1466	1	PIN, PISTON D20
3	0G2565	1	RING SET, PISTON Ø90
4	0G2751	1	PISTON, FLAT TOP Ø90 COATED
5	071983	2	RETAINER, PISTON PIN 20
6	0E8440	1	ASSEMBLY, CRANKSHAFT GH410 SMALL TAPER
7	0A7628	1	ARM, GOVERNOR RC45
8	0H9038	1	PIN COTTER "R" .059 X 1/4 X 1-1/8
9	078659	2	WASHER, GOVERNOR ARM THRUST
10	0H0165C	1	CRANKCASE, SUBASSEMBLY WITH PLUGS GH410
11	0E3812	2	SEAL, 35 I.D. CRANKSHAFT
12	0E6519	1	ASSEMBLY, GOVERNOR GEAR
13	078645	1	C-RING, GOVERNOR GEAR RETAINER
14	0A7811	1	SPOOL, GOVERNOR- MACHINE
15	0A9877	1	ASSEMBLY, CAMSHAFT & GEAR
16	076701	1	GASKET, CRANKCASE
17	021713B	1	GASKET, HEAD 410
18	078691	1	COVER, OIL PRESSURE RELIEF
19	0A5771	1	SPRING, OIL RELIEF 360
20	0A5776	1	BALL, DIA 11/32 PRESSURE RELIEF
21	076361	1	WASHER, THRUST GOVERNOR GEAR
22	0G4233A	1	ASSEMBLY, COVER
23	0D2274	2	RETAINER, VALVE SPRING
24	0C4391	2	VALVE SPRING LF
25	086026	1	GEROTOR, INNER 12 THK
26	086002	1	GEROTOR, OUTER 12 THK
27	0G6791	1	ASSEMBLY, CYLINDER HEAD SEATS & GUIDES
28	086516	1	VALVE, EXHAUST
29	086517	1	VALVE, INTAKE
30	0D9853B	2	PUSH ROD 174.9
31	083897	2	TAPPET
32	077158	1	ASSEMBLY, SCREEN OIL PICK-UP
33	0C3150	1	GASKET, ROCKER COVER 410
34	072694	2	STUD, D20 PIVOT BALL
35	083907	2	ROCKER ARM
36	0D3998	2	NUT, JAM M8 (ROCKER ARM)
37	078694	1	PLATE, PUSH ROD GUIDE
38	021742	4	SCREW, HHFL M10-1.5 X 105
39	0D6094	1	ASSEMBLY, ROCKER COVER OHVI
40	076329A	1	PLUG, OIL FILL PLASTIC
41	0E0057	1	O-RING 11/16 - 7/8
43	045770	1	SCREW HHC M5-0.8 X 10 C8.8
44	086515	4	KEEPER, VALVE SPRING
45	0G0919	4	SCREW HHFC M6-1 X 12 G8.8
46	0A1442	8	SCREW, HHFC M8-1.25 X 42
47	078672	1	SEAL, VALVE STEM D7
48	089673	2	WASHER, VALVE SPRING
49	0B2104	1	WASHER, LARGE WAVE
50	078699C	2	SLEEVE, DOWEL PIN 14 DIA.
51	0E3341	1	BALANCER
52	078699B	2	SLEEVE, DOWEL PIN 12 DIA.
53	0D9241H	1	ASSEMBLY, PISTON PIN & CONNECTING ROD
54	0G1843A	1	GEARCOVER, MACHINED
55	0A7627	1	SHAFT, GOVERNOR
*56	076353B	1	PLUG, 6.5 DIA.
*57	076353C	1	PLUG, 8.4 DIA.
*58	083921	1	SHAFT, BEARING TUBE
59	0G5792	1	WASHER, LOCK M5

* NOT SHOWN IN EV

GROUP E



EXPLODED VIEW:
XG410 ENGINE TRIM
DRAWING #: 0H3523

EXPLODED VIEW: XG410 ENGINE TRIM
DRAWING #: 0H3523

GROUP E

APPLICABLE TO: 005747-0 & 05846-0

ITEM	PART #	QTY.	DESCRIPTION
1	0C1069	9	SCREW HHTT M6-1.0 X 8 ZYC
2	0D2922	1	ASSEMBLY, BLOWER HOUSING
3	0E9521	1	PULLEY STARTER LARGE FRAME
4	0E9483	1	RECOIL STARTER LARGE FRAME
5	088434	1	WRAPPER, BOTTOM 12 HP HS
6	045756	4	SCREW HHTT M6-1.0 X 10 YELLOW CHROME
7	0C4176A	1	WRAPPER, TOP REGULAR STEEL
8	0G3662B	1	CLAMP,HOSE OETIKER STPLSS 18.5
9	0H3455A	1	FUEL HOSE, 250 MM LONG
10	048031G	2	CLAMP HOSE BAND .41
11	073116A	1	BACKPLATE
12	0G7967	1	SCREW, HHTT 5/16-18X1/2" CLEAR
13	0D7199A	1	HOSE, BREATHER GH410 ENGINES
14	091039	1	GASKET, INTAKE ADAPTER
15	082121C	1	CLIP-J, VINYL COAT
16	0H4218	1	WIRE HARNESS, 410 ENGINE SWITCH WIRING
17	022097	2	WASHER, LOCK M6-1/4
18	0H0866	1	BACK PLATE
19	086999	1	GASKET,OIL FILTER ADAPTER
20	0D5667A	1	ADAPTER, OIL FILTER
21	049821	2	SCREW, SHC M8-1.25 X 30 G12.9
22	0H1315	1	SWITCH, HOBBS OIL PRESSURE 5PSI
23	070185B	1	FILTER, OIL BLACK 75 LONG
24	082774	1	KEY, WOODRFF 4 X 19D
25	091222C	1	FLYWHEEL, RING GEAR 27 DEG
26	067198N	1	WASHER,BELV-20 X 2.2
27	067890	1	NUT HEX M20-1.5 G8 YLW CHROME- FLYWHEEL
28	0E7585	1	SPARKPLUG, CHAMPION RC14YC 0.030"
29	072734	1	ASSEMBLY,GOVERNOR LEVER 12HP
30	072735	1	ROD, GOVERNOR CONTROL
31	0C3978	1	SPRING, ANTI-LASH
32	087221G	1	OIL PRESSURE SHUTDOWN MODULE
33	0G9241	1	ASSEMBLY, IGNITION ADV NO DIODE GH410
34	080318	2	SCREW HHFC M6-1.0 X 25 G8.8
35	073100	1	SPRING GOVERNOR 320/360/410
36	083502	1	BOLT, GOVERNOR ADJUSTMENT M5
37	082025	1	NUT, HEX LOCK M5-0.8 NYLON INSERT ZINC
38	081647	2	BOLT, CARBURETOR MOUNTING
39	043790A	1	BARBED ELBOW 90 DEG 3/8" NPT X 3/8"
40	040945	2	SCREW, SHC M6-1.0 X 20 G12.9 ZINC PLATED
41	0G9594	1	CARBURETOR ASSEMBLY, 410HS
42	090970	1	GASKET, AIR CLEANER
43	0G5630D	1	BASE, AIR CLEANER 410 HI FLOW XP PORT
	0G5630F	1	BASE, AIR CLEANER W/ EVAP (0H6225 ONLY)
44	049811	4	WASHER, FLAT M6
45	0B2236	2	NUT, HEX LOCK M6-1.0 NYLON INSERT
46	091204	1	PLATE, SPITBACK
47	0K0784	1	SCREW HHWTF 8-18 X 0.5 HI-LOW
48	073111	1	ELEMENT, AIR FILTER
49	0D9004A	1	STARTER, ASSEMBLY
50	079246	2	SCREW, HHC M6-1.0 X 16 W/ LOCK WASHER
51	090827	1	BRACKET, AIR CLEANER
52	091028	1	ADAPTER, "K"
53	089228	1	GASKET, CARBURETOR/MANIFOLD
54	0G9860	2	RIVET, 1/8"
55	073104B	1	COVER, AIR CLEANER 13GN
56	078609	2	BOLT, AIR CLEANER COVER
57	0G9688	1	BRACKET, CHOKE CABLE
58	0H8131B	1	ASSY OIL DRAIN HOSE, 6" LONG ORANGE
59	0D6313	1	FUEL FILTER
61	022717B	1	GROMMET
62	081990	2	SCREW SHC M8-1.25 X 40 C8.8
63	022129	2	WASHER, LOCK M8-5/16
65	0H1660	1	BARBED ELBOW, 90 DEGREE 1/8NPT (0H6225 ONLY)
66	0E1552	6	SCREW HHFC M6-1.0 X 12